

IEC Appliance Connector C14 with Fuseholder 2-pole

Plug removal necessary for fuse replacement



Screw-On Version

**Description**

- Panel Mount:
Screw-on from front or rear-side
- 2 Functions:
Inlet Protection class I, fuse-links 5 x 20 mm 1- or 2-pole
- Solder terminals 3.8 x 0.8 mm or quick connect terminals 6.3 x 0.8 mm

Approvals

- VDE License Number: 40006816
- UL License Number: E93617

Characteristics

- All single elements are already wired
- With slotted screw type fuseholder
Fuse drawer meets requirements of medical standard IEC/EN 60601-1
The fuse drawer can only be opened with the aid of a tool
The fuseholder is accessible from the equipment front
- IP40 (fuseholder IP65)
- Qualified for use in equipment according IEC/EN 60950

Other versions on request

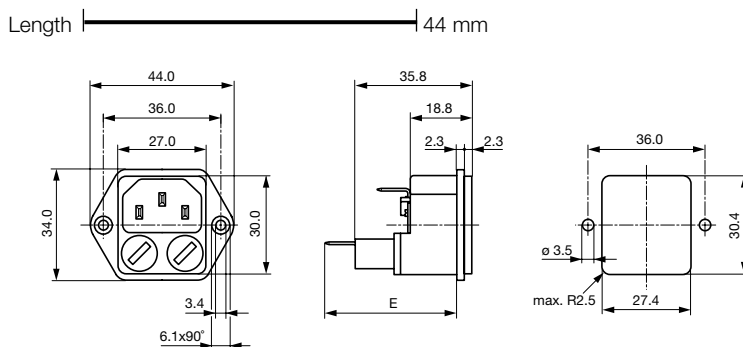
- For protection class II

Weblinks

[Approvals](#), [RoHS](#), [CHINA-RoHS](#), [e-Store](#), [SCHURTER-Stock-Check](#), [Distributor-Stock-Check](#)

Technical Data

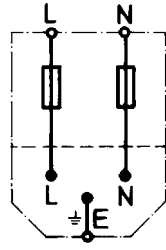
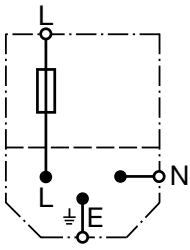
Ratings IEC	10A / 250VAC; 50Hz	Appliance-Inlet/-Outlet	C14 acc. to IEC/EN 60320-1, UL 498, CSA C22.2 no. 42 (for cold conditions) pin-temperature 70 °C, 10A, Protection class I
Ratings UL/CSA	10A / 250VAC; 60Hz	Fuseholder	1 or 2 pole, Shocksafe category PC2 acc. to IEC 60127-6, for fuse-links 5 x 20mm
Dielectric Strength	> 2 kVAC between L-N > 3 kVAC between L/N-PE (1 min/50Hz)	Rated Power Acceptance @ Ta 23 °C	5 x 20: 1.6W (1 pole)/ 1.6W (2-pole) per pole
Allowable Operation Temp.	-25 °C to 70 °C	Power Acceptance @ Ta > 23 °C	Admissible power acceptance at higher ambient temperature see derating curves
Degree of Protection	from front side IP 40 acc. to IEC 60529		
Protection Class	Suitable for appliances with protection class I acc. to IEC 61140		
Terminal	Solder terminals or quick connect terminals		
Panel Thickness s	Screw-on: max 6 mm Mounting screw torque max 0.5 Nm		
Material: Housing	Thermoplastic, black, UL 94V-0		

Dimensions

E: solder terminals = 37.6 mm

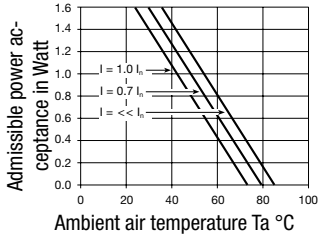
E: quick-connect terminals = 41.0 mm

Diagrams

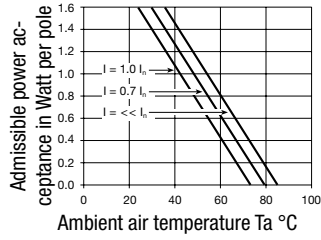


Derating Curves for Fuseholders

1-pole



2-pole



Variants

Socket and fuse-carrier

[Distributor-Stock-Check](#) | [SCHURTER-Stock-Check](#) | [e-Store](#)

Terminal	Fuseholder	Order Number
Solder terminals	1 pole	4707.1300
Quick connect terminals 6.3 x 0.8 mm	1 pole	4707.1000
Solder terminals	2-pole	4707.2300
Quick connect terminals 6.3 x 0.8 mm	2-pole	4707.2000

Packaging unit 100 Pcs

Accessory

Description



[Assorted Covers](#)
Rear Cover

0859.0047

4311.9403



[Cord retaining kits](#)
Cord retaining strain relieve

Countersunk, B

4700.0002